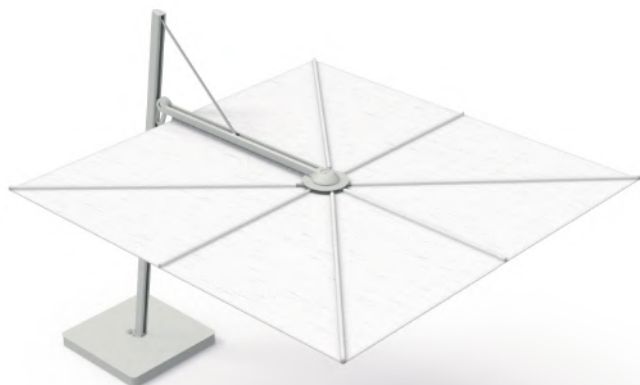


MODELS

ARCHITECTURE



Sunbrella® Marble



RAL 9018



NATURE



Sunbrella® Lin



RAL 6007



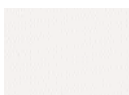
Thermo Ayous



MARINE



Solidum Natural



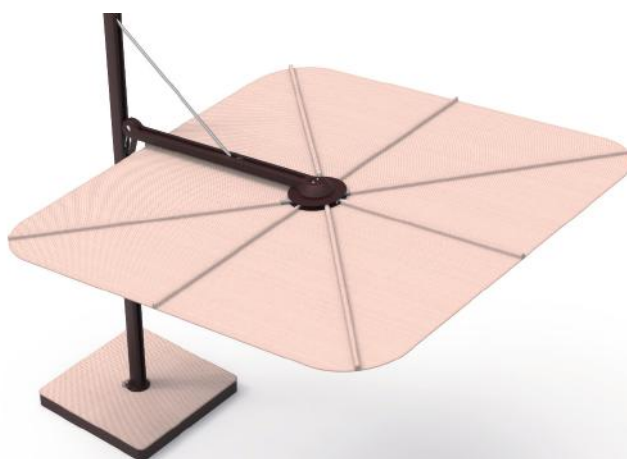
Mariaflora Olivia Sheer



RAL 5013 - 9010



CULTURE



Sunbrella® Blush

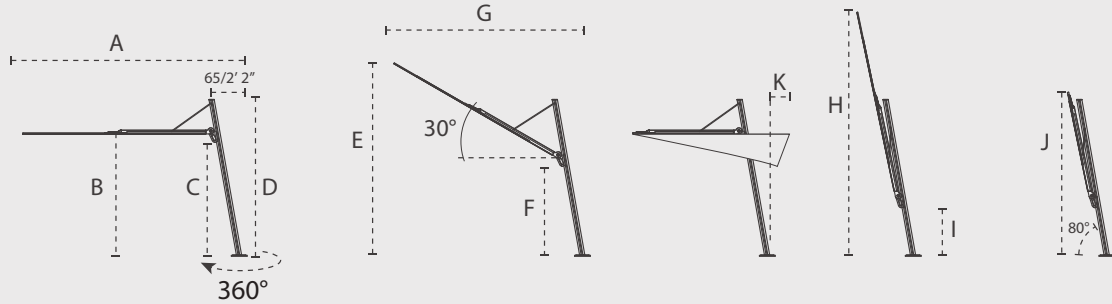


RAL 3007

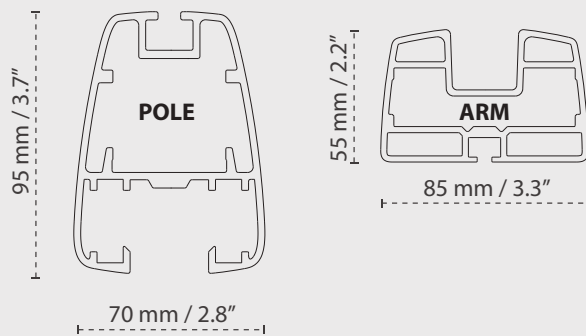
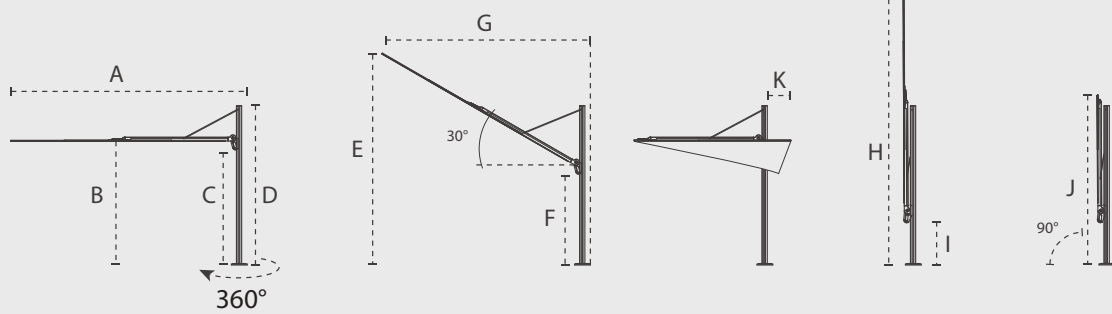


DIMENSIONS

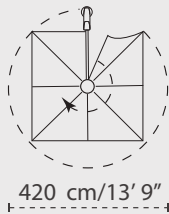
ARCHITECTURE / NATURE



MARINE / CULTURE



ARCHITECTURE



NATURE



MARINE



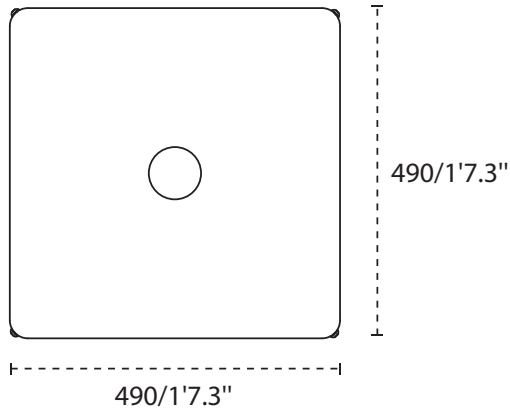
CULTURE



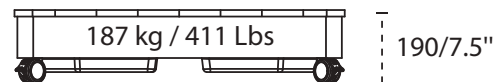
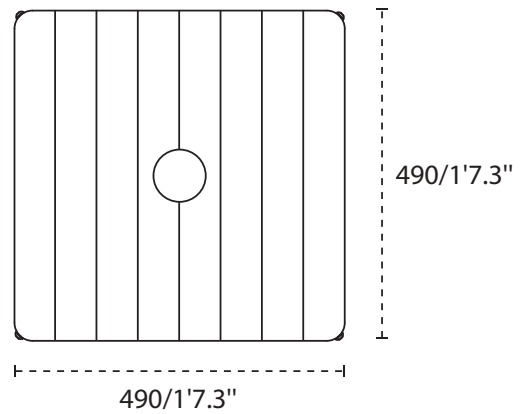
	A cm/ft	B cm/ft	C cm/ft	D cm/ft	E cm/ft	F cm/ft	G cm/ft	H cm/ft	I cm/ft	J cm/ft	K cm/ft
ARCHITECTURE 3 x 3 m / 9' 10" x 9' 10"	365/11' 12"	195/6' 5"	185/6' 1"	260/8' 6"	280/9' 2"	128/4' 2"	325/10' 8"	410/13' 5"	77/2' 6"	265/8' 8"	0/0"
NATURE 3 x 3.5 m / 9' 10" x 11' 6"	380/5' 7"	195/6' 5"	185/6' 1"	260/8' 6"	295/9' 8"	128/4' 2"	325/10' 8"	410/13' 5"	77/2' 6"	265/8' 8"	0/0"
MARINE 2.5 x 2.5 m / 8' 2" x 8' 2"	280/9' 2"	210/6' 11"	200/6' 7"	267/8' 9"	285/9' 4"	148/4' 10"	255/8' 4"	380/12' 5"	100/3' 3"	270/8' 10"	30/ 11.8"
CULTURE 2.5 x 2.5 m / 8' 2" x 8' 2"	280/9' 2"	195/6' 5"	185/6' 1"	252/8' 3"	270/8' 10"	135/4' 5"	255/8' 4"	365/11' 11"	85/2' 9"	255/8' 4"	20/ 7.9"

DIMENSIONS BASE (mm/inch)

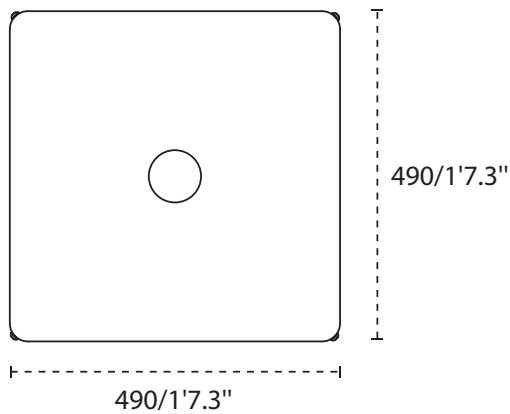
ARCHITECTURE



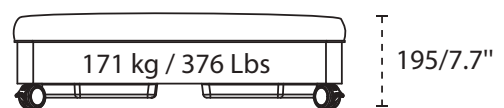
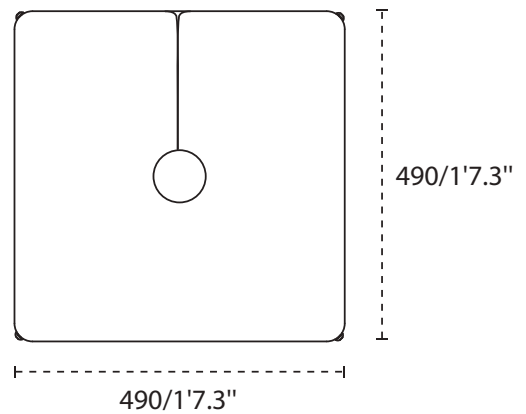
NATURE



MARINE

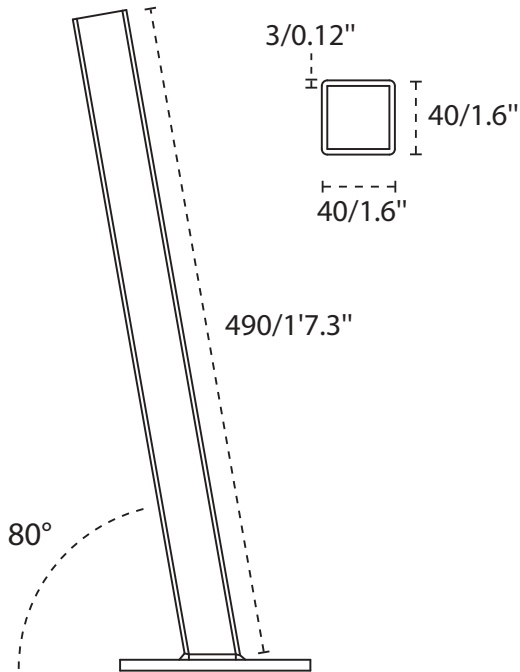


CULTURE



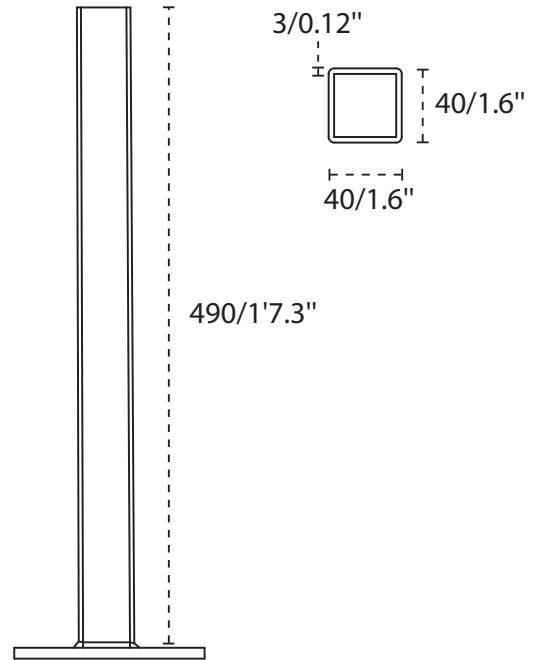
DIMENSIONS / MATERIALS SPIGOT (mm/inch)

ARCHITECTURE / NATURE

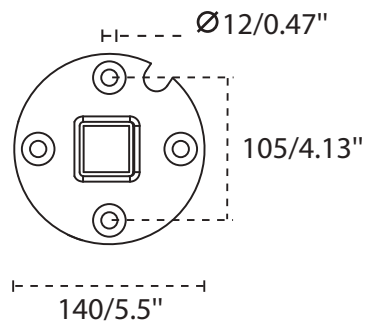
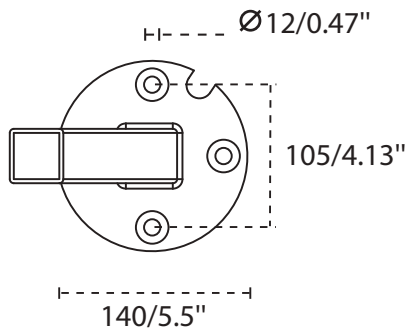


Galvanised steel 8mm/0.3"

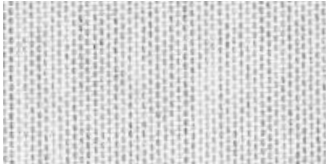
MARINE / CULTURE



Galvanised steel 8mm/0.3"



MATERIALS



FABRIC

Sunbrella – 100% Acryl 260 gr/m²

Solidum – 100% Acryl 250 gr/m²

More details – see spec sheet Fabrics



RIBS

Glass fiber ribs - Ø 16mm



POLE

Aluminum,
powder coated



HANDLES

Casted aluminum, powder coated
Stainless steel 316, polished



BASE ARCHITECTURE / MARINE

Galvanised steel, powder coated



BASE NATURE

Galvanised steel, powder coated
Thermowood Ayous



BASE CULTURE

Galvanised steel, powder coated
Cushion cover: Sunbrella Blush

PACKAGING & TRANSPORT

Spectra	L (cm)	W (cm)	H (cm)	Weight (kg)	L (")	W (")	H (")	Weight (lbs)
Umbrella box	265	36	33	32	8'8"	1'2"	1'1"	70
Base box	95	95	24	35	8'8"	37'4"	37'4"	77

NICE TO KNOW

- Spare parts available
- Designed and manufactured in Belgium
- Warranty between 15 and 2 years, see Warranty Sheet
- Download manual (QR-code included)
- Storage bag included (Sunbrella Flanelle)
- Wind speeds up to 5 beaufort, 30 km/h, 31 mph when base is permanently fixed
- Tested at TU Delft

The content of this document, in particular the mentioned models, is protected by copyrights and/or design rights. The present document and its content is communicated to you for information purposes only. Any partial or total reproduction or any other use without our prior written permission is strictly prohibited. This technical sheet remains subject to possible changes. Of course we do our best to eliminate all mistakes, but Umbrosa is not responsible for the errors in the documentation of products. All measurements are approximate and are provided for informational purposes only.